



## RODIFLEX, DECORATIVE SOLUTIONS FOR LARGE FORMATS

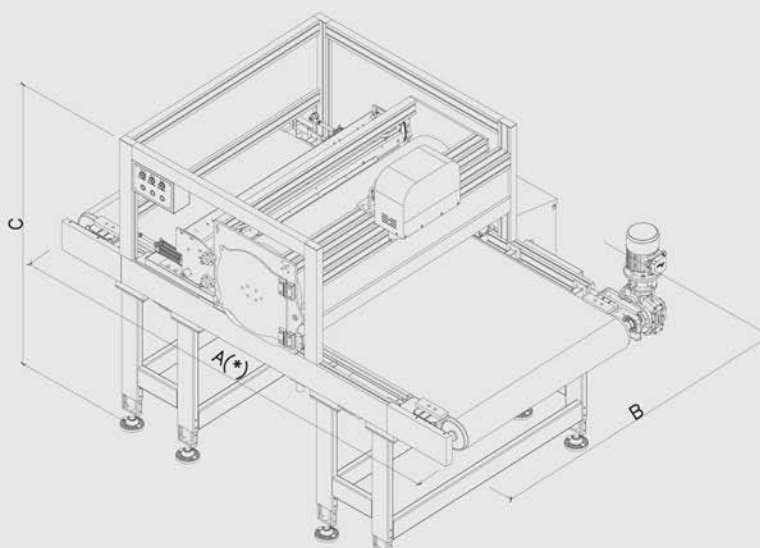
### FEATURES

- Designed to decorate and apply large quantities of product, in large format tiles, BEFORE and AFTER the enameling process.
- Reduces the pressing costs with relief, in large tiles.
- Removable head that facilitates the change of roller, as well as its cleaning.
- Available in the following sizes: 1323 - 1603 - 1803 - 2000 mm.



TECHNICAL CHARACTERISTICS						
MODEL	VOLTAGE	POWER	WEIGHT	HIGH	WIDTH	LENGTH
1303	400V AC 50-60 Hz	3,5 Kw	992 Kg.	It depends on the installation	1970 mm.	*2800 mm.
1600	400V AC 50-60 Hz	4,5 Kw	1227 Kg.	It depends on the installation	2450 mm.	*3600 mm.
1803	400V AC 50-60 Hz	5,5 Kw	1252 Kg.	It depends on the installation	2450 mm.	*3600 mm.
2000	400V AC 50-60 Hz	6,5 Kw	1312 Kg.	It depends on the installation	2467 mm.	*3600 mm.

\* According to the needs of the customers



@CDTIoficial

UNIÓN EUROPEA

People&Technology

C. Alfred Nobel, 4  
12200 Onda (Castellón-SPAIN)  
Info@personasytecnologia.com  
www.peopleandtechnology.com.es  
Tel. +34 964 77 21 36